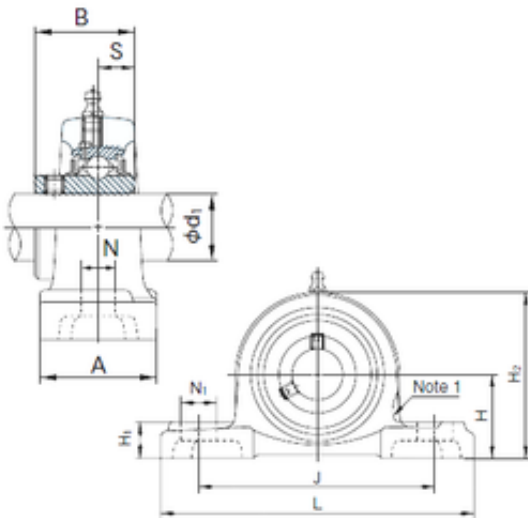




China abec 5 Bearing Supplier



UCP204 Bearing 2D drawings and 3D CAD models

HIGH QUALITY NSK FYH NTN KOYO
NACHI ASAHI Pillow block bearing UCP204
UCP205 UCP206 SY20TF SY25TF SY30TF
SY35TF for Combines

Bearing No. UCP204

Bore Diameter	20 mm
Width	31 mm
d	20 mm
A	38 mm
B	31 mm
H	33.3 mm
H1	15 mm
H2	65 mm
J	95 mm
L	127 mm
N	13 mm
N1	19 mm
S	12.7 mm
Bolt (G)	M10
Category	Bearings
Inventory	0.0
Manufacturer Name	NACHI
Minimum Buy Quantity	N/A
Weight / Kilogram	0
Product Group	M06110